

GENERAL DESCRIPTION

The installation set **AC 8001** is designed for external installation of Fire Detectors 7000 and 8000 Series. The set might be used with bases **8000, 8000D, 8000R, 8000RD, 7100, 7100A**.

In most cases PVC or corrugated pipes are used for external installation of conducting wires. In this event the installation set **AC 8001** is required to be used. The intermediate base for external installation (**pos. 1**) allows for good connection of PVC or corrugated pipe to it. It provides enough space under the Fire detector base for the correct and convenient positioning of the connecting wires.

TECHNICAL DATA

Height	30 mm
Diameter	98 mm
Mass	25 g
Material	ABS
Colour	white
Conducting pipes diameter	max. 22 mm

INSTALLATION

Install it according to fig. 1 in the following sequence:

1. Release the sides of the intermediate base (**pos. 1**) where the pipes and the connecting wires (**pos. 7**) are to be passed through.
2. Fix the intermediate base at the desired place by means of pins and screws (**pos. 3**).
3. Pass the pipes and the connecting wires in advance through the inside of the intermediate base.
4. Fix the Fire detector base (**pos. 4**) to the intermediate base by means of screws (**pos. 5**).
5. Make the electrical installation according to the base type.
6. Install the Fire detector (**pos. 6**).

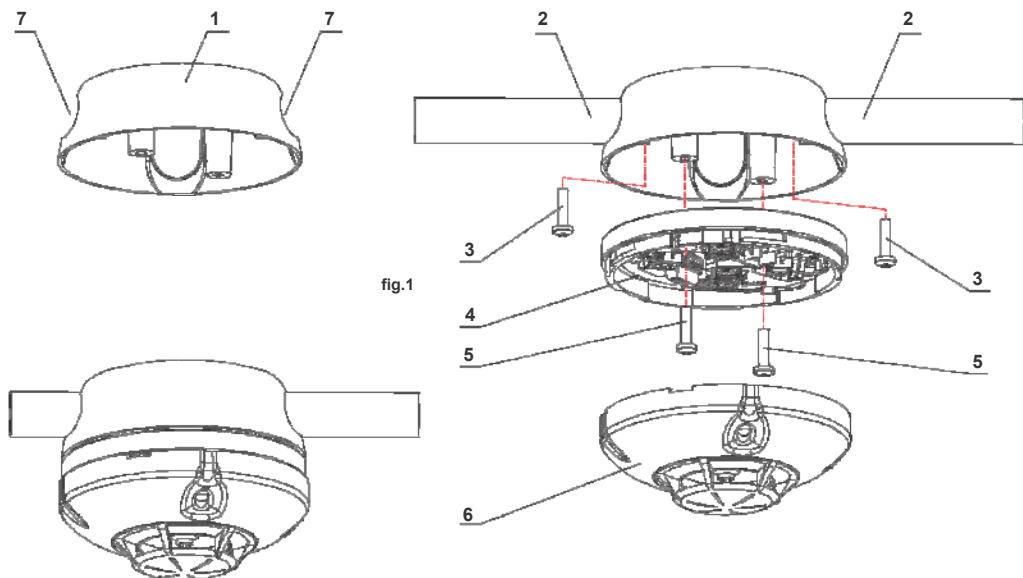


fig.1