

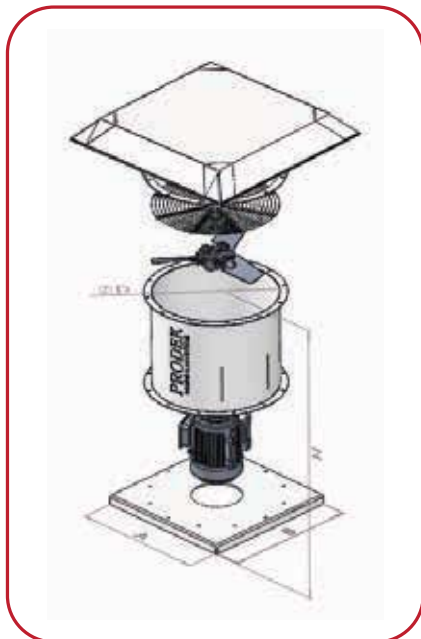
Multipurpose Roof-Mounted Extractor Fan



AIR AKD-R Series

Multipurpose Roof-Mounted Extractor Fan

- *300°C/2h multipurpose roof-mounted fans for immersed operation in fire risk zones. designed for smoke evacuation in industrial or similar buildings.
- *Painted. Sheet steel support base.
- *Anti-contact protective grille
- *Cast aluminium orientable impellers.
- *Maximum temperature of air to be carried: S1 continuous operation -20°C +40°C. S2 operation 300°C/2h.
- *Three-phase and 400/690V-50Hz



MODEL	DIMENSIONS (mm)			
	ØD	A	B	H
AIR AKD-R 31-2-4T	315	500	500	500
AIR AKD-R 35-2-4T	355	500	500	500
AIR AKD-R 40-2-4T	400	550	550	500
AIR AKD-R 45-2-4T	450	600	600	600
AIR AKD-R 50-2-4T	500	700	700	600
AIR AKD-R 63-2-4T	630	800	800	700
AIR AKD-R 71-2-4T	710	900	900	700
AIR AKD-R 80-2-4T	800	1000	1000	700
AIR AKD-R 90-2-4T	900	1100	1100	800
AIR AKD-R 100-2-4T	1000	1200	1200	800
AIR AKD-R 112-2-4T	1120	1400	1400	800
AIR AKD-R 125-2-4T	1250	1450	1450	800

